



BOLON NOGLUE®

INSTALLATION INSTRUCTIONS TILES AND PLANKS

BOLON NO-GLUE

Bolon NoGlue makes it possible to install Bolon Tiles and Planks without affecting the subfloor. It is also usable for temporary installations as exhibition stands etc.

REQUIREMENTS

The subfloor must be clean, dry and free from cracks. Please note that asphalt, spillages of oil, impregnating agents and felt pen markings can cause discolouration.

When installing on raised floor systems ensure that the panels are in level. Install the tiles randomly over the panels. Preferably use tackifier. (See installation tiles/plank)

Necessary damp-proofing must be in place to prevent harmful moisture coming into contact with the flooring. Follow national rules and regulations with regard to moisture in floor structures. In the absence of such rules and regulations, use the following as guidelines.

When laying this product, the RH in any subfloor of normal structural concrete must not exceed 85%. This value only applies to construction moisture. Measuring must always be performed by specially trained personnel.

Subfloors of sheet material are assumed to contain an 8% moisture ratio (which corresponds to 40% RH at +20°C), so that no movement occurs that may subsequently cause damage. In the event of any piping in floors, pipes must be laid so that the flooring material is not continuously exposed to temperatures higher than 30°C, as otherwise discolouration and other changes to the material can occur. This also applies to areas with underfloor heating.

PREPARATIONS

Carefully remove all dust and loose particles. When using leveling compound, it is important to achieve the necessary strength and evenness. For best result $\pm 2\text{mm}/2\text{m}$ and $\pm 1\text{mm}/0,25\text{m}$ or better is recommended.

Installation on existing floor coverings of plastic/linoleum/wood must be assessed on a case by case basis depending on the subfloor condition among others. With painted subfloors, there is a risk of discolouration.

Before installation the material, adhesive and subfloor must be allowed to adjust to room temperature, i.e. a temperature of at least +18°C - 25°C. Make sure that the tiles boxes are on a level surface.

INSTALLATION

Place a roll of Bolon NoGlue in the tape dispenser. Keep attention to the rotation direction marked with an arrow on the dispenser.

Pull the tape against the cutting edge. The tape will tear automatically to a patch 10 x 10 cm.

Place the tape in the corner where the tiles meet. Strengthen the installation by place the tape in the edges. See figure 1 (last page). In case of brick lay pattern see figure 2 (last page).

Use pencil for any markings.

For best results, the tiles should be turned one quarter-turn to form a chequered pattern (see figure A). It also works to lay the tiles in the same direction. If this is the case, we recommend laying the tiles using a so called brick lay, i.e. offset half a tile to the side (see figure B). This gives a more uniform result than laying with a continuous joint, which is also possible (see figure C).

Since the flooring is a woven vinyl with natural variations in structure, slight differences in shade may be seen if the tiles are laid in the same direction. Take note of the direction of the arrow on the reverse as per figures 1, 2 and 3.

BOLON



BOLON NOGLUE®

INSTALLATION INSTRUCTIONS TILES AND PLANKS

PROCEDURE

Bolon tiles and planks should be installed using traditional installation methods for flooring tiles.

1. It is usual to begin installation from the center of the room. In corridors and small rooms it may be simpler to work from one side to the other and use the center line as a guide mark.
2. The center line can be drawn out as follows: Draw a line from the center between two of the walls. Then draw the second line to form a cross with the other line. To achieve perpendicular the 3:4:5 method can be used.
3. Begin laying tiles at the center point. Work outwards from the first tile, creating a pyramid. Continue in this way until the first quarter of the floor is complete. Be careful to follow the guidelines and ensure that the tiles fit closely together. If the first tiles do not follow the guide lines, this will affect the whole process.
4. Ensure good contact between Bolon NoGlue and the tiles by applying pressure on each patch (e.g. by standing/ putting your weight on them).

MISCELLANEOUS

1. If the material is being installed on stairs, mouldings must be used.
2. Wheels on office chairs must be polyamide (hard type, designed for textile floors)
3. Furniture must have feet of teflon, polythene, stainless steel or similar.
4. Some types of rubber found in wheels of trolleys, entrance mats etc. can cause discolouration in the form of migration. This type of discolouration cannot be removed.

BOLON



BOLON NOGLUE®

INSTALLATION INSTRUCTIONS TILES AND PLANKS

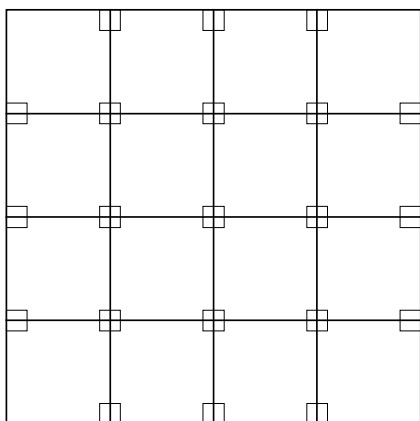


FIGURE 1

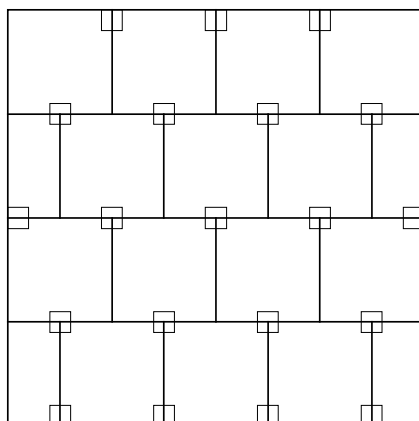


FIGURE 2

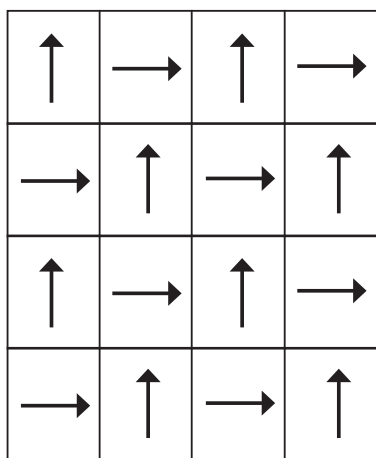


FIGURE A

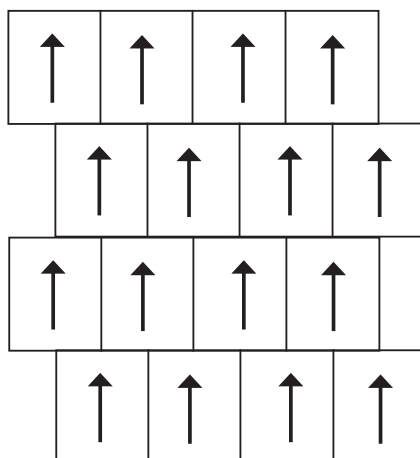


FIGURE B

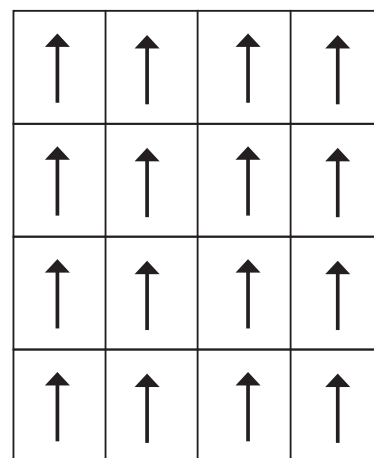


FIGURE C

BOLON

BOLON.COM
INFO@BOLON.COM | + 46 321 530 400
FACEBOOK.COM/BOLONFLOORING